

# 235 / 300 EX



Wood diameters of up to 19 cm



Feed roller width 240 mm



Basic weight approx. 1,350 kg

**235 EX** with Kubota 26.2 kW (35.6 hp)

**300 EX** with Kubota 33.0 kW (44.9 hp)

ball coupling

DIN eye coupling

## Engine and chassis:

Water-cooled 4-cylinder Kubota diesel engine with 26.2 kW / 35.6 hp (235 EX) or 33 kW / 44.9 hp turbo diesel (300 EX). Industrial freewheel clutch. Single-axle chassis (80 km/h), fully galvanized. Hitch with overrun brake and ball or DIN eye coupling. Front jockey wheel, supporting leg at the rear. Enlarged axle and sheet steel fenders. Road lights as per StVZO (shockprotected). Pneumatic tyres 195/70 R14 96N. TUEV expertise / ABE.

## Body/hopper/discharge chute:

Feed hopper in accordance with CE standards with fully galvanized flap. Turning discharge chute with adjustable deflector (as per GS standards). Discharge chute on ball bearing flange. Chipping chamber and discharge chute with sound insulation.

## Chipping unit:

Chipping unit on turntable, turning 270°, with safety circuit as per EN 13525. 2-blade chipping disk with freely adjustable blades that can be resharpened multiple times. Closed blade system. Anvil and vertical blade can be used twice each. Rope cutter for chipping disk.

## Hydraulic feed:

Separate hydraulic circuit. PowerGrip feed rollers with hydraulic forced feed via two separate hydraulic motors. Parallel-guided upper feed roller. Hydraulic adjustment for the chip sizes. Level indicator for hydraulic oil tank.

## Options

### Drive/engine

- (1) Power Control System incl. minutes counter
- (2) Battery master switch
- (3) Lockable filler cap

### Chassis/body

- (4) Chassis conversion to 100 km/h
- (5) Hitch, adjustable in height (only possible with original order)
- (6) Spare tyre with holder on hood
- (7) Rotating beacon, yellow, LED, with support on feed hopper
- (8) Electr. strobe beacon, 12 V yellow, LED, with support on feed hopper
- (9) Protective grilles for rear lights (enclosed, assembly prepared)
- (10) Anti-theft device for ball or DIN eye coupling
- (11) Additional ball or DIN eye coupling\*\*

### Discharge chute

- (12) Standard: standard length, on ball bearing flange, with external sound insulation
- (13) Interior sound insulation (-2 dBA)
- (14) Folding chute - for discharge chutes without extension only
- (15) Individual horizontal extension of the chute (up to 500 mm)\*\*\*
- (16) Individual vertical extension of the chute (up to 500 mm)\*\*\*

### Chipping unit

- (17) WhisperCut® chipping system, includes pos. (13)

### Miscellaneous

- (18) Special colour (RAL colours, various gloss grades)
- (19) One-day registration (Exports only)
- (20) TUEV expertise / ABE
- (21) Safety circuit (SAFEchip)
- (22) Functional spiral cable with 13 pol plugs on both sides

\*\*together with hitch adjustable in height, only.

\*\*\*No discharge chute extension for WhisperCut® option.

Address/Dealer's stamp

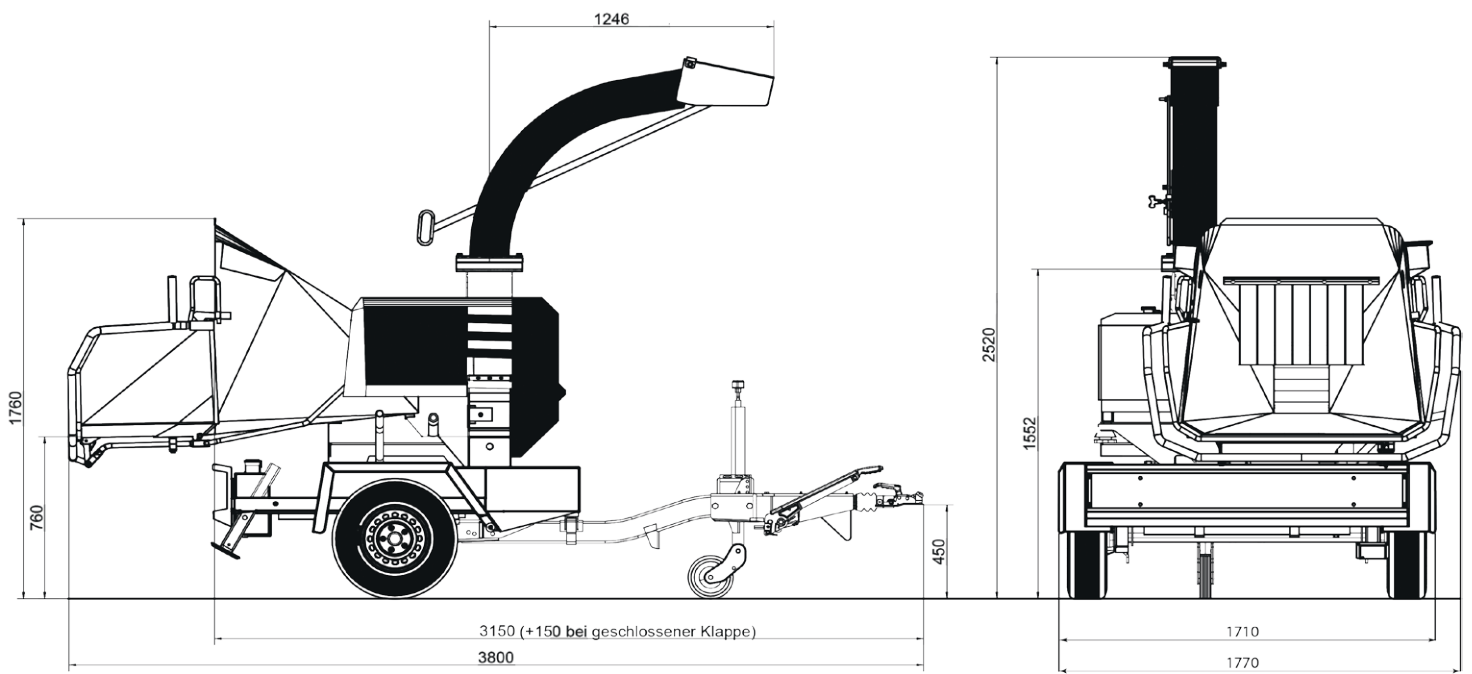


[www.schliesing.com](http://www.schliesing.com)

Date

Signature

Every order is placed with the knowledge and acceptance of the General Terms and Conditions of Sale of Schliesing Machinery GmbH (valid version attached or available at [www.schliesing.com/Imprint](http://www.schliesing.com/Imprint)) Subject to the technical modifications, omissions and errors at any time. Revision: 06/2018



The wood chipper is in line with the safety instructions of DIN-EN 13525

- ❑ Chipping unit on turntable (270°)
- ❑ Folding feed hopper as per CE standards, min. depth of 1,500 mm
- ❑ Fully galvanized feed hopper flap
- ❑ Hopper dims. (interior): width = 1,040 mm, height = 960 mm
- ❑ Chipping disk Ø 655 mm, 35 mm thick
- ❑ Closed blade system for a fast, safe and precise blade change
- ❑ Freely adjustable blade settings
- ❑ Hydraulic adjustment of the chip sizes
- ❑ Blades can be resharpened up to approx. 10 times for a long service life
- ❑ Anvil can be used four times / vertical blade can be used twice for a maximum service life
- ❑ Excellent rope cutter at the main bearing of the chipping disk
- ❑ PowerGrip feed roller, 240 mm wide, with hydraulic forced feeding by two individual hydraulic motors. Particularly aggressive and uniform feeding of the material
- ❑ Parallel-guided upper feed roller for a uniform and regular feeding (no jamming of the fed material)
- ❑ Discharge chute with adjustable deflector, turning as per GS standards
- ❑ Discharge chute on ball bearing flange
- ❑ Level indicator for hydraulic oil tank
- ❑ Relevant machine parts with sound insulation (cover and discharge chute in particular)

Our diesel engines exceed the exhaust emission requirements of EU 97/68 stage III A

- ❑ 4-cylinder Kubota diesel engine with 25.7 kW (35.6 hp) [235 EX] or 33 kW / 44.9 hp) Kubota turbo diesel engine [300 EX], both models water-cooled
- ❑ Industrial freewheel clutch, automatically acting between the engine and the chipping disk, easy on the engine, bearings and shaft
- ❑ Fully galvanized, corrosion-resistant single-axle chassis (EX) or tandem-axle chassis (TX) chassis for 80 km/h, incl. TUEV approval and ABE
- ❑ Solid sheet steel fenders
- ❑ Sturdy front jockey wheel and supporting leg at the rear (EX)
- ❑ Optional: hitch, adjustable in height with overrun brake and ball coupling or DIN eye coupling
- ❑ Road lights as per StVZO (shock-protected)
- ❑ Pneumatic tyres 195/70 R14 96N
- ❑ Basis weight: approx. 1,350 kg
- ❑ Optional: Power Control System with minutes counter

# 235/300 EX

## Interesting options:

Schliesing SAFEchip safety technology

- ❑ Contactless protection device to stop the feed rollers by means of an electromagnetic field
- ❑ Recommended by BG Gartenbau!
- ❑ The transponder to trigger the safety device weighs a mere 19 grams and should be worn inside the hearing protection
- ❑ Safety tested in everyday work - the safety effectiveness and the working comfort have been confirmed
- ❑ Seamless integration into the work flow

## WhisperCut® (optional)

- ❑ V-shaped knives pull in the wood in a more uniform way and with less vibrations
- ❑ In combination with the centering PowerGrip feed rollers, the material hardly hits back and forth any longer in the hopper
- ❑ The pulling cut reduces the noise level by up to 30%!
- ❑ Easy on the blades, the service life of the knives increases by up to 40%!
- ❑ Best protection of the user apart from the Schliesing SAFEchip technology
- ❑ Optionally available for nearly all Schliesing machines

Schliesing Machinery GmbH

St. Huberter Str. 103

47906 Kempen

Tel: +49 (0) 2152 / 9140-0

Fax: +49 (0) 2152 / 9140-70

 **schliesing**<sup>®</sup>  
www.schliesing.com

Every order is placed with the knowledge and acceptance of the General Terms and Conditions of Sale of Schliesing Machinery GmbH (valid version attached or available at [www.schliesing.com/Imprint](http://www.schliesing.com/Imprint))  
Subject to the technical modifications, omissions and errors at any time. Revision: 06/2018